



XR Group
犀瑞集团

Shaving Razor Catagory



We Jiangxi Xirui Group is one of the biggest and professional company to produce all kinds of personal-care products in China with more than 20 years experiences, such as double (single) edge razor blades, body hair shaving razor, facial dermaplaning razors, make up sponge & all kinds of beauty tools; We also produce industrial hardware blades such as single edge blade, window scraper blade, utility blade, carpet blade, snap-off blade and kinds of abnormal blades etc...

Now our factory covers an area 60000 square meters with investment 80 million, all of our productions are finished in-door, we're able to provide you ONE-STOP Service.

We have a sound management system, strong technical force and the advanced production equipment, guarantees provides the high quality suitable product for the global clients.

Our products are popular selling to the whole world market, such as China, Europe, South-East Countries, North-America, Australia and so on. We have good cooperations with many big beauty chain stores, supermarkets, trading companies and variety online shop.



MORE THAN 360 EMPLOYEES

20 Years +

FOUNDED IN 2004



INTERNATIONAL BRAND



35+ PATENT CERTIFICATES



XR-G101

One-layer blade

- ▶ Blade: Sweden Stainless Steel
- ▶ Injection: Automatic Injection Molding
- ▶ Lubricant strip: No



Product Information

Raw material of product: Rubber+Plastic
 Size: 14.5x4cm Weight: 19g
 Customized: OEM Customized



XR-G3

One-layer blade

- ▶ Blade: Sweden Stainless Steel
- ▶ Injection: Automatic Injection Molding
- ▶ Lubricant strip: No



Product Information

Raw material of product: Rubber+Plastic
 Size: 15x8.2cm Weight: 6g
 Customized: OEM Customized



XR-501

Triple-layer blade

- ▶ Blade: Sweden Stainless Steel
- ▶ Injection: Automatic Injection Molding
- ▶ Lubricant strip: Yes



Product Information

Raw material of product: PP+TPRS
 Size: 11.7x4cm Weight: 9g
 Customized: OEM Customized



XR-G504

Twin-layer blade

- ▶ Blade: Stainless Steel
- ▶ Injection: Automatic Injection Molding
- ▶ Lubricant strip: Yes



Product Information

Raw material of product: Plastic
 Size: 11.5x4cm Weight: 5g
 Customized: OEM Customized



XR-G505

Twin-layer blade

- ▶ Blade: Stainless Steel
- ▶ Injection: Automatic Injection Molding
- ▶ Lubricant strip: Yes



Product Information

Raw material of product: Plastic
 Size: 11.5x4cm Weight: 5g
 Customized: OEM Customized



XR-G506

Twin-layer blade

- ▶ Blade: Sweden Stainless Steel
- ▶ Injection: Automatic Injection Molding
- ▶ Lubricant strip: Yes



Product Information

Raw material of product: Plastic
 Size: 11.7x4.3cm Weight: 5g
 Customized: OEM Customized



XR-G507

Triple-layer blade

- ▶ Blade: Sweden Stainless Steel
- ▶ Injection: Automatic Injection Molding
- ▶ Lubricant strip: Yes



Product Information

Raw material of product: Rubber+Plastic
 Size: 13.5x4.3cm Weight: 12g
 Customized: OEM Customized



TH3011

Five-layer blade


- ▶ Blade: Sweden Stainless Steel
- ▶ Injection: Automatic Injection Molding
- ▶ Lubricant strip: Yes

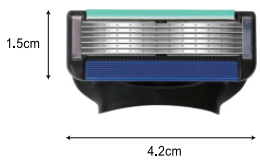
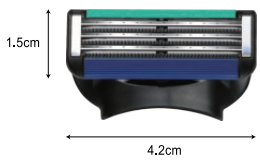


Product Information

Raw material of product: Rubber+Plastic
 Size: 8.5x5.2cm Weight: 13g
 Customized: OEM Customized





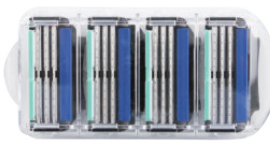




XR-JS02RB5




- ▶ Blade: Sweden Stainless Steel
- ▶ Injection: Automatic Injection Molding
- ▶ Lubricant strip: Yes

Product Information

Raw material of product:
Rubber+Plastic
Size: 15.5x4.2cm Weight: 72g
Customized: OEM Customized





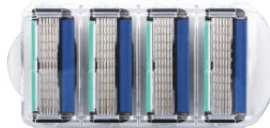




XR-JS01RB3

- ▶ Blade: Sweden Stainless Steel
- ▶ Injection: Automatic Injection Molding
- ▶ Lubricant strip: Aloe+Vitamin E

Product Information

Raw material of product:
Aluminum alloy+plastic
Size: 14x4.2cm Weight: 32g
Customized: OEM Customized





BAMBOO HANDLE



CARTRIDGE BLADE



XR-SL01RB3

- ▶ Blade: Sweden Stainless Steel
- ▶ Handle: Solid wood
- ▶ Lubricant strip: Yes

Product Information

Raw material of product:
Aluminum alloy+process resin
Size: 14x4.2cm Weight: 51g
Customized: OEM Customized



XR-ZM01RB3

- ▶ Blade: Sweden Stainless Steel
- ▶ Handle: Solid wood
- ▶ Lubricant strip: Yes

Product Information

Raw material of product:
Wood+plastic
Size: 15x4.2cm Weight: 16g
Customized: OEM Customized





XR-G502

- ▶ Blade: Sweden Stainless Steel
- ▶ Injection: Automatic Injection Molding
- ▶ Lubricant strip: Aloe+Vitamin E

Product Information

Raw material of product: Rubber+Plastic
 Size: 8.5x5.2cm Weight: 14g
 Customized: OEM Customized

XR-G503

- ▶ Blade: Sweden Stainless Steel
- ▶ Injection: Automatic Injection Molding
- ▶ Lubricant strip: Aloe+Vitamin E

Product Information

Raw material of product: Rubber+Plastic
 Size: 13x5.2cm Weight: 20g
 Customized: OEM Customized



XR-MSRB6

- ▶ Blade: Sweden Stainless Steel
- ▶ Injection: Automatic Injection Molding
- ▶ Lubricant strip: Aloe+Vitamin E

Product Information

Raw material of product:
Rubber+Plastic
Size: 13.5x5.2cm Weight: 39g
Customized: OEM Customized









+86-18817699188



contact@xiruiblade.com



<https://www.xiruiblade.com>
<https://www.matgicol.com>



Ningdu Industrial Park, Ganzhou City, Jiangxi Province, China